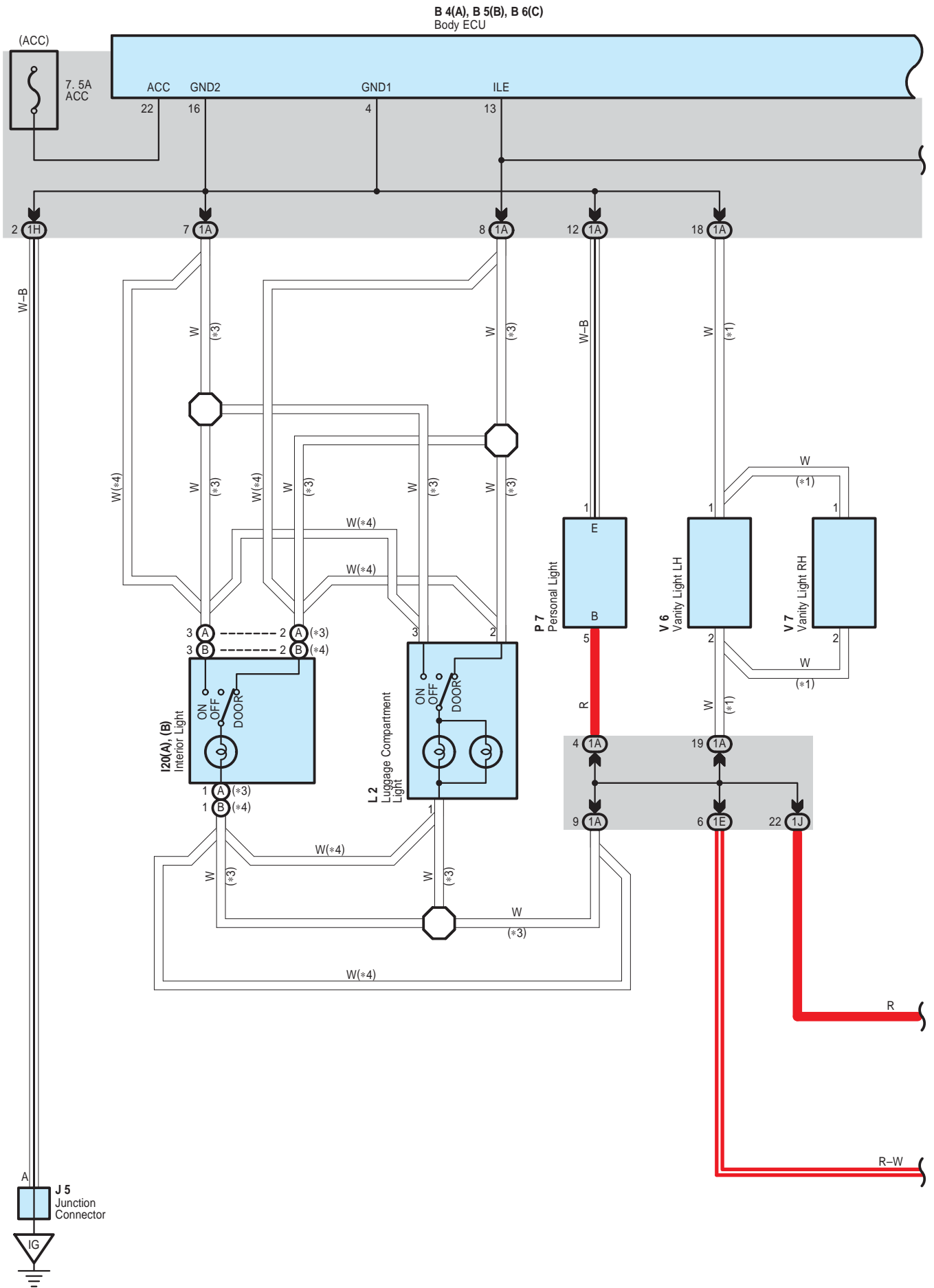
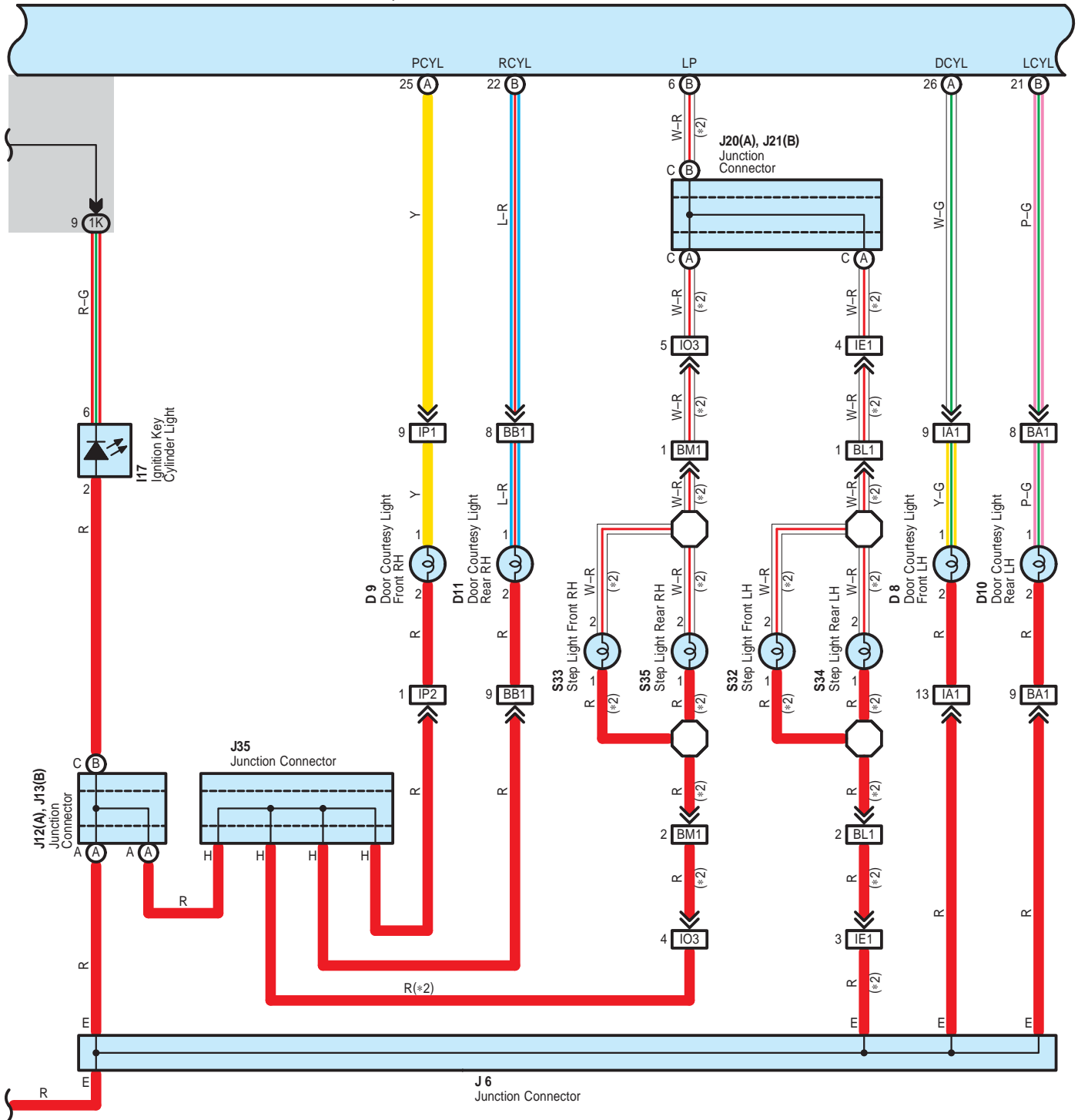


# Interior Light



B 4(A), B 5(B), B 6(C)  
Body ECU

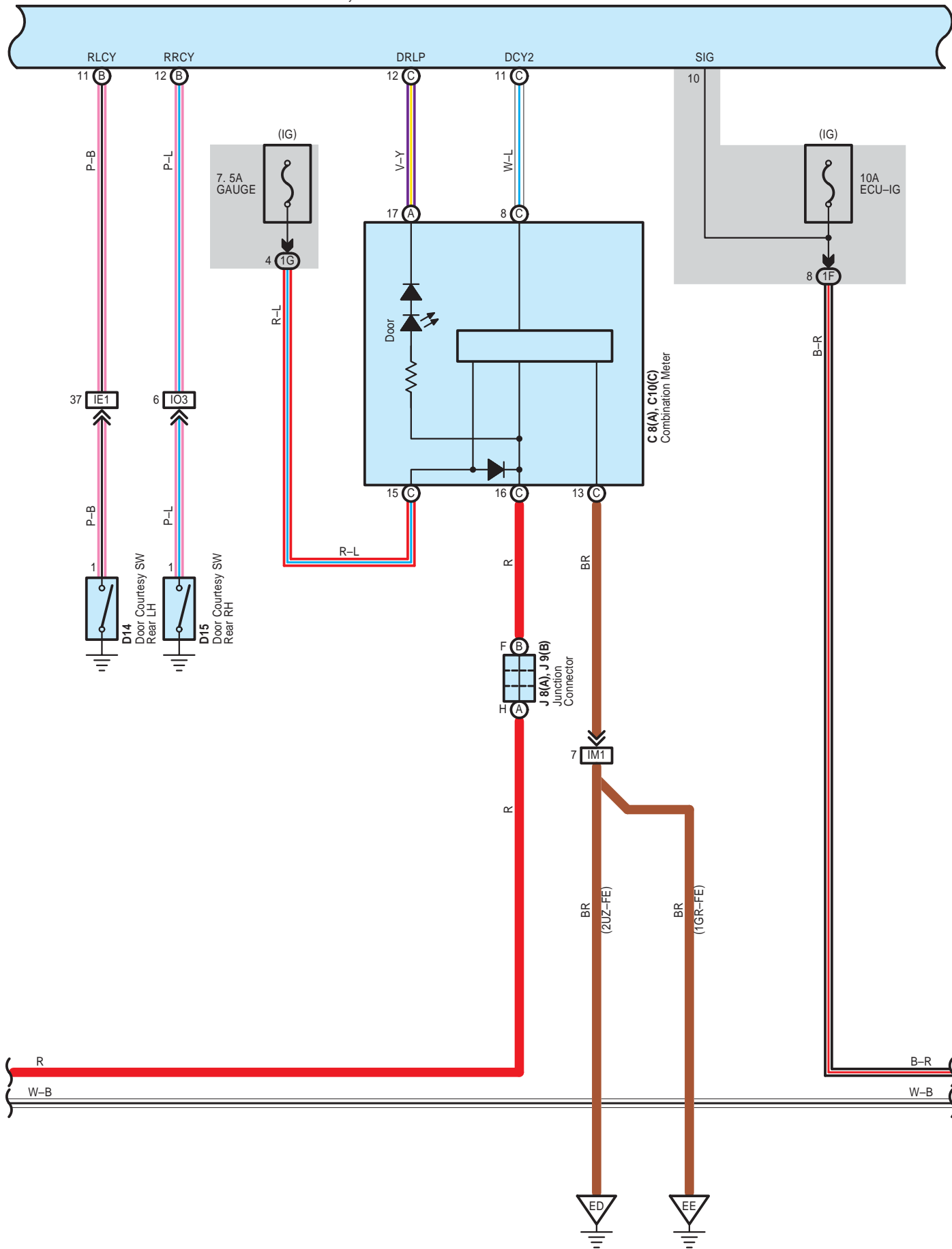


- \* 1 : w/ Vanity Light
- \* 2 : Limited
- \* 3 : w/ Rear Seat Entertainment System
- \* 4 : w/o Rear Seat Entertainment System

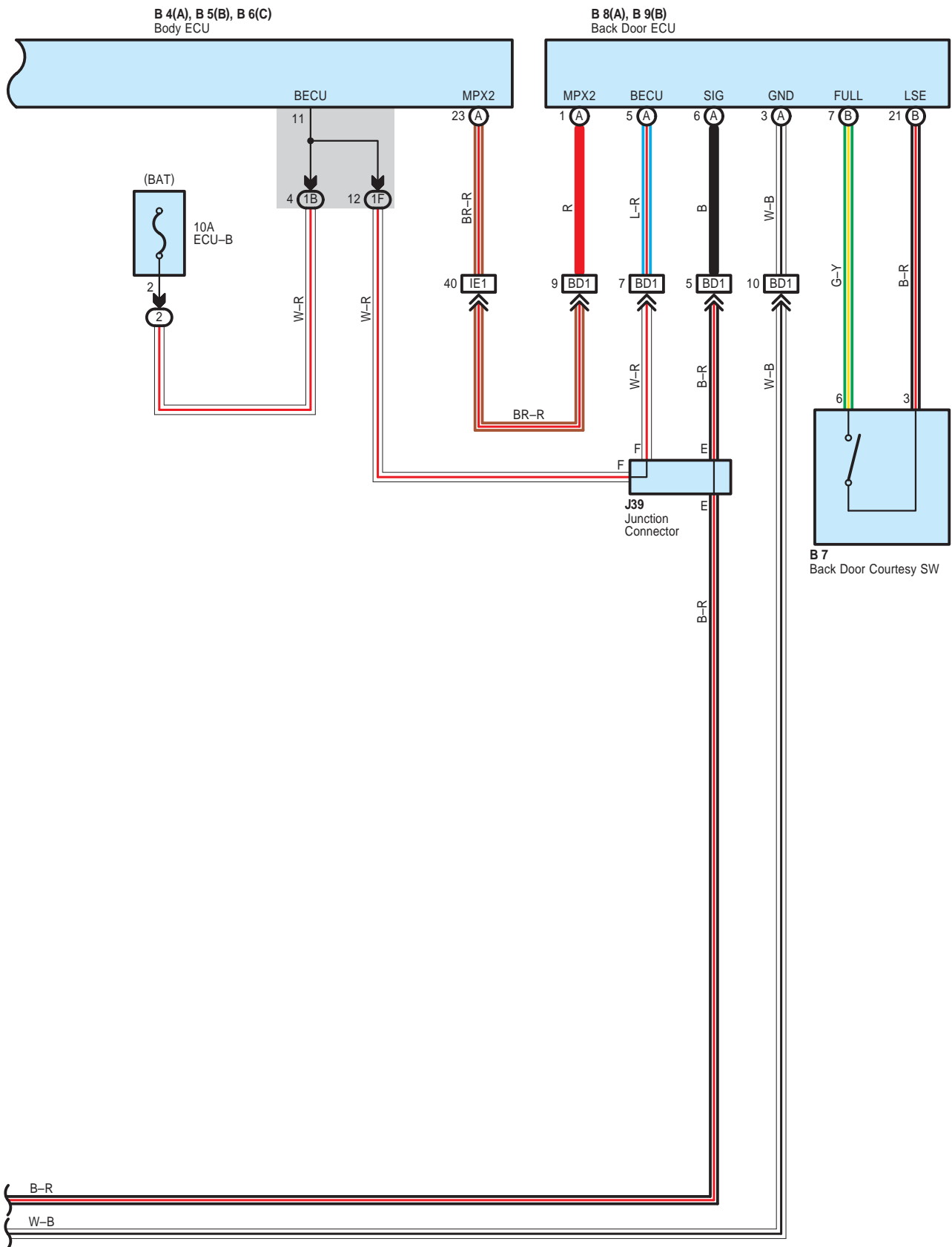




B 4(A), B 5(B), B 6(C)  
Body ECU



# Interior Light



## System Outline

The interior light is controlled by the body ECU. This system has following features.

### 1. Normal Operation

- \* When one of the doors opened, the interior light, luggage compartment light and open door warning light is turned on. When the all doors are closed, the interior light, luggage compartment light and open door warning light is turned off.

### 2. Illuminated Entry System

- \* When a door is unlocked through a key operation or transmitter operation, or if a door is opened or closed, the illuminated entry system turns ON the interior light and the ignition key illumination.
- \* If the ignition switch is turned to the ACC or ON position or if all doors are locked during the 15 seconds in which these lights are ON, they will immediately turn OFF.

## ○ : Parts Location

Code		See Page	Code		See Page	Code		See Page
B4	A	36	D14	40	J21	B	38	
B5	B	36	D15	40	J35		38	
B6	C	36	I17	37	J39		40	
B7		40	I20	A	40	J40	A	40
B8	A	40		B	40	J41	B	40
B9	B	40	J5	38	L2		40	
C8	A	37	J6	38	P7		41	
C10	C	37	J7	38	S32		41	
D7		40	J8	A	38	S33	41	
D8		40	J9	B	38	S34	41	
D9		40	J12	A	38	S35	41	
D10		40	J13	B	38	V6	41	
D11		40	J18	A	38	V7	41	
D12		40	J19	B	38			
D13		40	J20	A	38			

## ○ : Relay Blocks

Code	See Page	Relay Blocks (Relay Block Location)
2	22	Engine Room R/B (Engine Compartment Left)

## ○ : Junction Block and Wire Harness Connector

Code	See Page	Junction Block and Wire Harness (Connector Location)
1A	24	Roof Wire and Driver Side J/B (Lower Finish Panel)
1B	24	Engine Room Main Wire and Driver Side J/B (Lower Finish Panel)
1E		
1F	24	Floor No.2 Wire and Driver Side J/B (Lower Finish Panel)
1G	25	Instrument Panel Wire and Driver Side J/B (Lower Finish Panel)
1H		
1J		
1K		

# Interior Light

 : Connector Joining Wire Harness and Wire Harness

Code	See Page	Joining Wire Harness and Wire Harness (Connector Location)
IA1	46	Front Door LH Wire and Instrument Panel Wire (Left Kick Panel)
IC3	46	Instrument Panel Wire and Engine Room Main Wire (Left Kick Panel)
IC4		
IE1	46	Instrument Panel Wire and Floor No.2 Wire (Left Kick Panel)
IM1	47	Engine Wire and Instrument Panel Wire (Right Side of Blower Unit)
IO3	47	Instrument Panel Wire and Floor Wire (Right Kick Panel)
IP1	47	Front Door RH Wire and Instrument Panel Wire (Right Kick Panel)
IP2		
BA1	48	Rear Door No.2 Wire and Instrument Panel Wire (Left Center Pillar)
BB1	48	Rear Door No.1 Wire and Instrument Panel Wire (Right Center Pillar)
BD1	48	Back Door No.1 Wire and Floor No.2 Wire (Left Rear Side of Roof)
BL1	48	Floor No.2 Wire and Step Rear Floor LH Wire (Near the Side Step LH)
BM1	48	Floor Wire and Step Rear Floor RH Wire (Near the Side Step RH)

 : Ground Points

Code	See Page	Ground Points Location
ED	44 (2UZ-FE)	Left Bank Cylinder Head
EE	44 (2UZ-FE)	Rear Side of Cylinder Block
	45 (1GR-FE)	Rear Side of Right Bank Cylinder Block
IG	46	Left Kick Panel
BL	48	Floor Seat Crossmember LH
BO	48	Rear Pillar LH

