

Part Number: PT347-89031

Section I – Installation Preparation

Kit Contents

| Item # | Quantity Req'd. | Description |
|--------|-----------------|--------------|
| 1 | 1 | Envelope Net |
| | | |

Hardware Bag Contents

| Item # | Quantity Req'd. | Description |
|--------|-----------------|-------------|
| | | |
| | | |

Additional Items Required For Installation

| Item # | Quantity Req'd. | Description |
|--------|-----------------|-------------|
| | | |
| | | |

Conflicts

| |
|-------|
| Note: |
|-------|

Recommended Tools

| | |
|---------------------------|--|
| Safety Tools | |
| None | |
| Special Tools | |
| None | |
| Installation Tools | |
| None | |
| Special Chemicals | |
| None | |

General Applicability






| |
|--|
| |
|--|

Recommended Sequence of Application

| Item # | Accessory | |
|--------|-----------|--|
| 1 | | |
| 2 | | |
| 3 | | |




*Mandatory

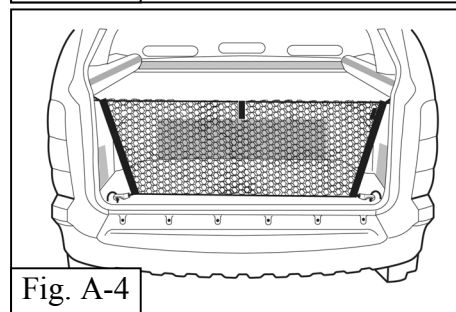
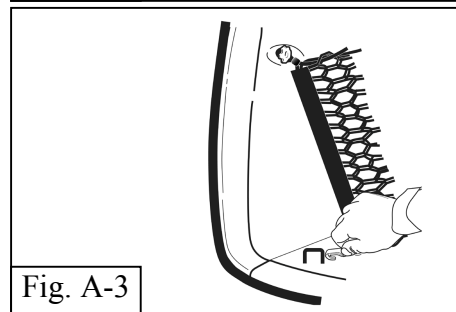
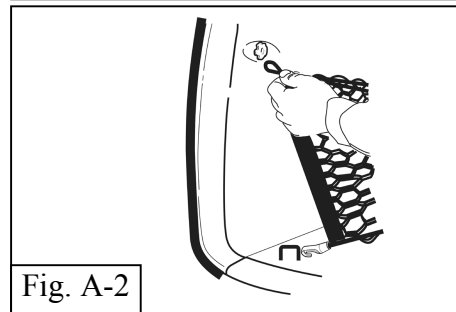
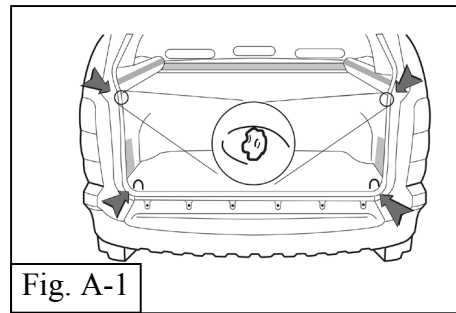
Legend

| | |
|---|---|
|  | STOP: Damage to the vehicle may occur. Do not proceed until process has been complied with. |
|  | OPERATOR SAFETY: Use caution to avoid risk of injury |
|  | CRITICAL PROCESS: Proceed with caution to ensure a quality installation. |
|  | GENERAL PROCESS: This highlights specific processes to ensure a quality installation. |
|  | TOOLS & EQUIPMENT: This calls out the specific tools and equipment required for this process |

Section II – Installation Procedure

A. Attach Cargo Net

1. Locate anchor points. (Fig. A-1)
-  2. Attach the loop at the top of the net to the Mushroom anchor. Repeat on the other side of the vehicle. (Fig. A-2)
-  3. Attach hook at the bottom of the net to the metal bracket. Repeat on the other side of the vehicle. (Fig. A-3)
-  4. Confirm completed assembly. (Fig. A-4)



Section III – Functional Verifications

Check: _____

- Confirm that net is attached properly to anchor points in the vehicle.

Look For: _____

- Make sure loops are attached to upper mushroom anchors.
- Make sure hooks are attached to lower metal brackets.